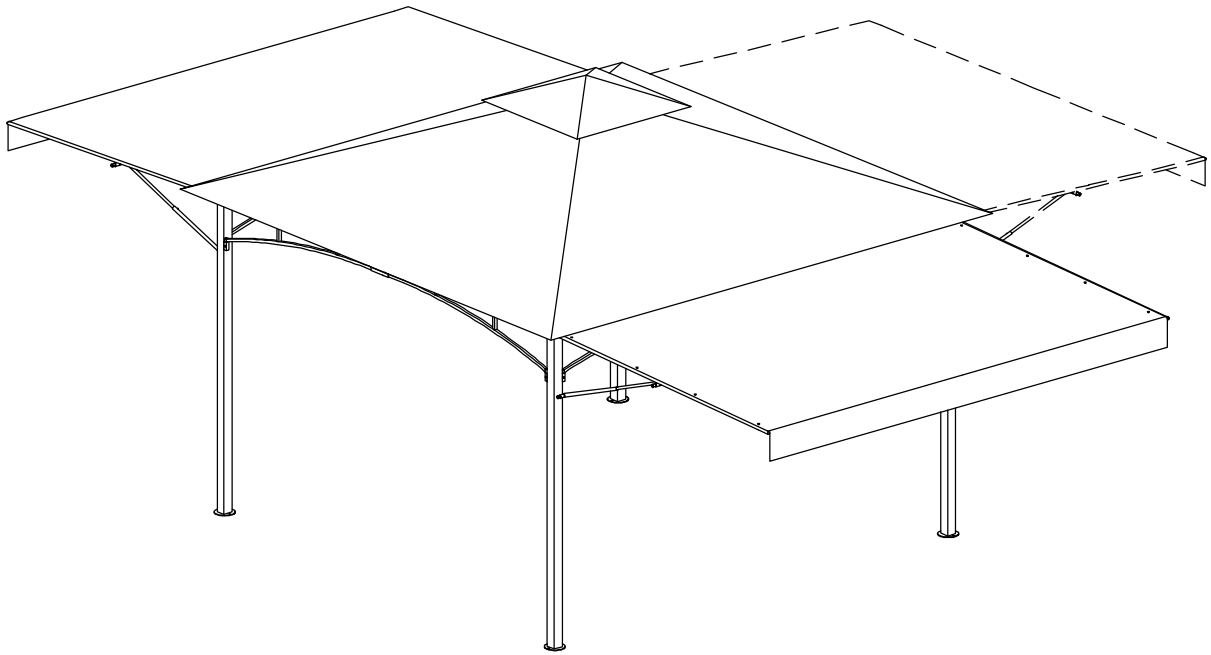


Thanks for shopping with Jeco®

11 x11' Metal Gazebo with Two Sides Awning

SKU# GZ3 / 15010254



JECO

1-800-893-3006
Ontario, CA 91761

















Made in China

If you have questions regarding this product, call
1-800-893-3006 Mon.-Fri. 9:00-5:00 PST
(California) and ask for our product specialists, or
e-mail: cs@jeco-inc.com

See many more products on the Internet!

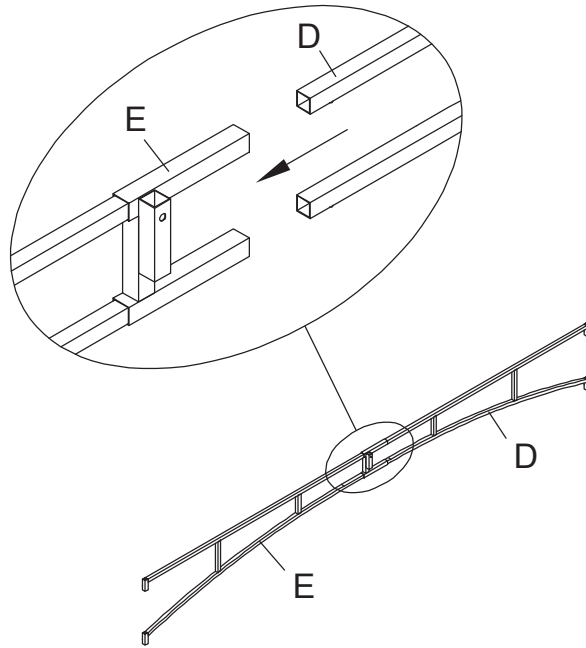
www.jeco-inc.com

PARTS LIST

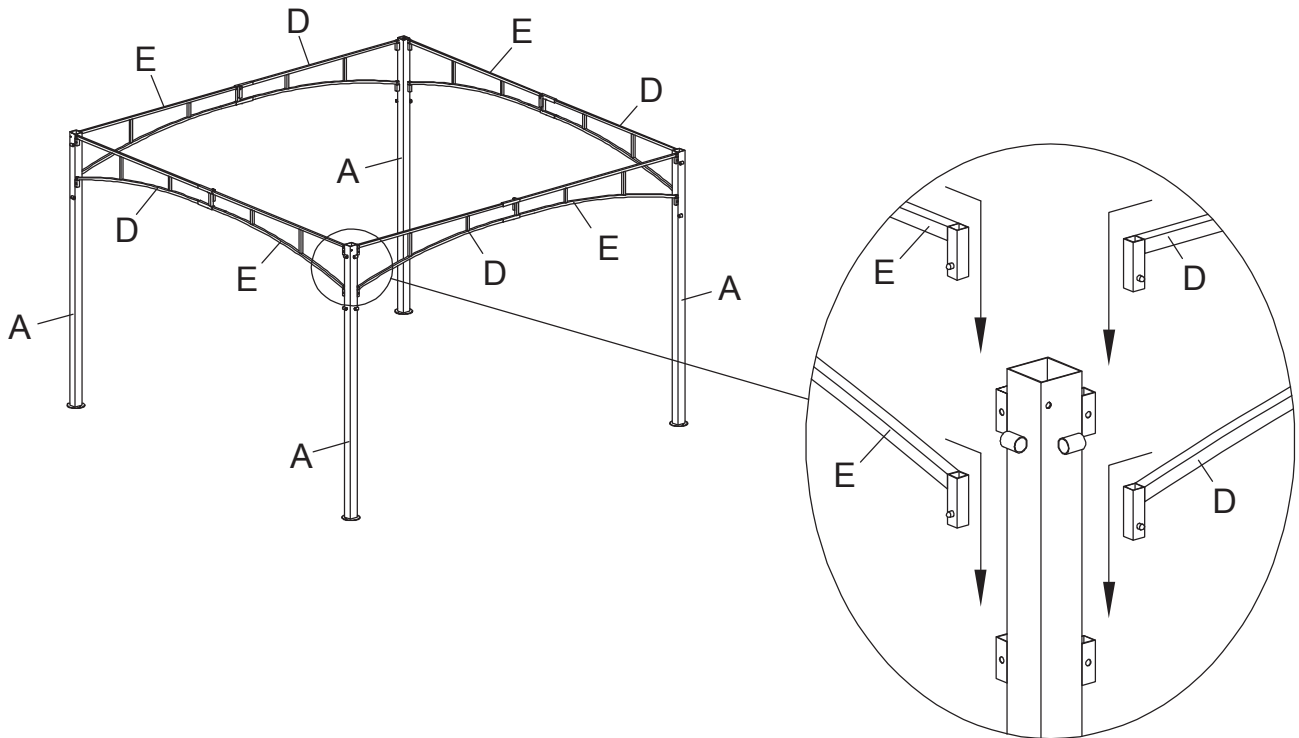
NO.	Description	Sketch	QTY
A	Post		4 PCS
D	Right Side Frame		4 PCS
E	Left Side Frame		4 PCS
F	Long Top Frame Beam		4 PCS
G	Middle Top Beam		4 PCS
H	Small Corner Beam		4 PCS
I	Top Connector		1 PC
J	Left Support Tube		2 PCS
K	Right Support Tube		2 PCS
L	Left Middlesupport Tube		4 PCS
M	Right Middle Support Tube		4 PCS
N	Mesh		2 PCS
O	Canopy		1 PC
P	Small Support Tube		4 PCS
Q	Bungee		28 PCS
R	Stake		8 PCS

To Assemble:

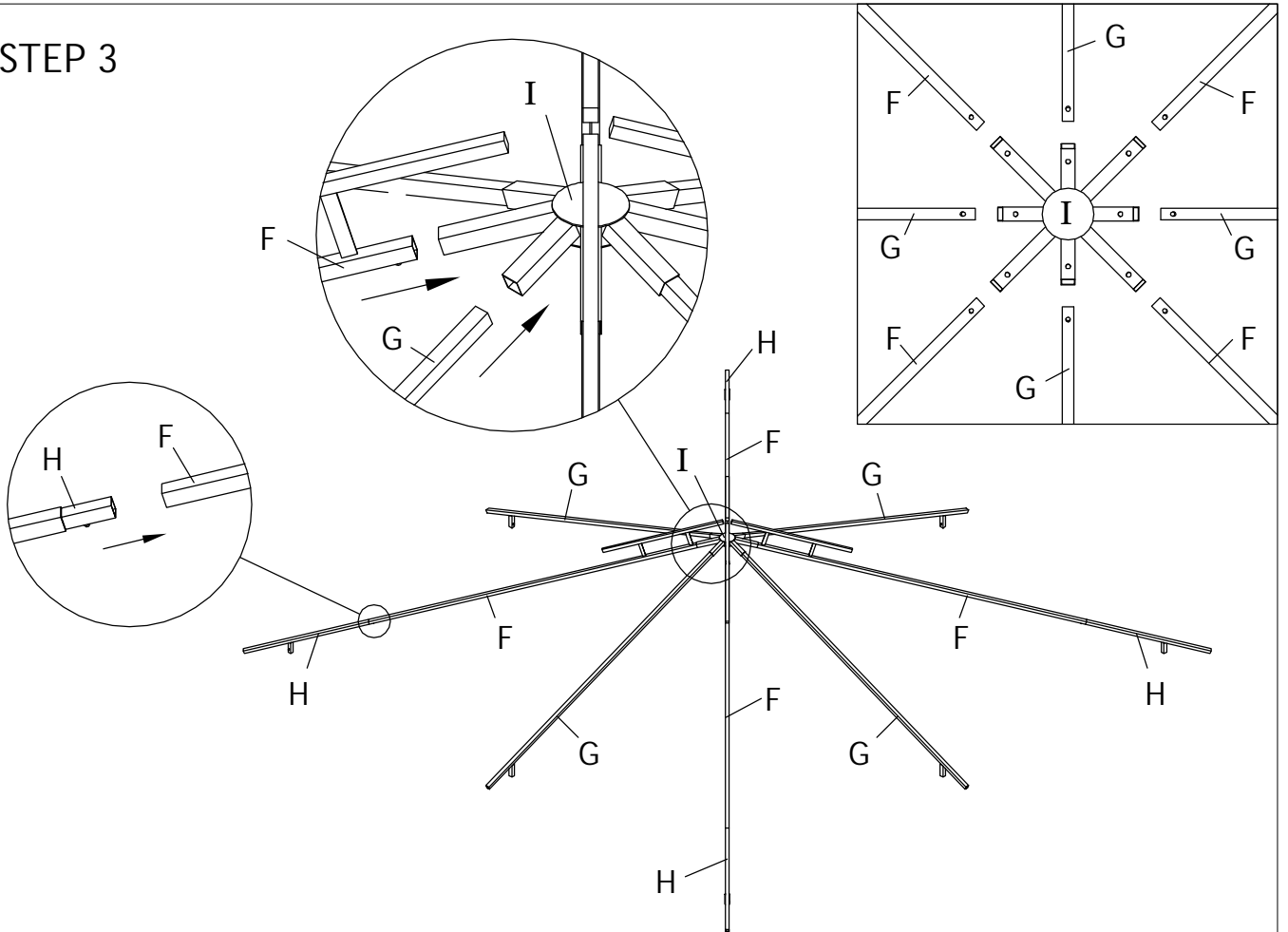
STEP 1



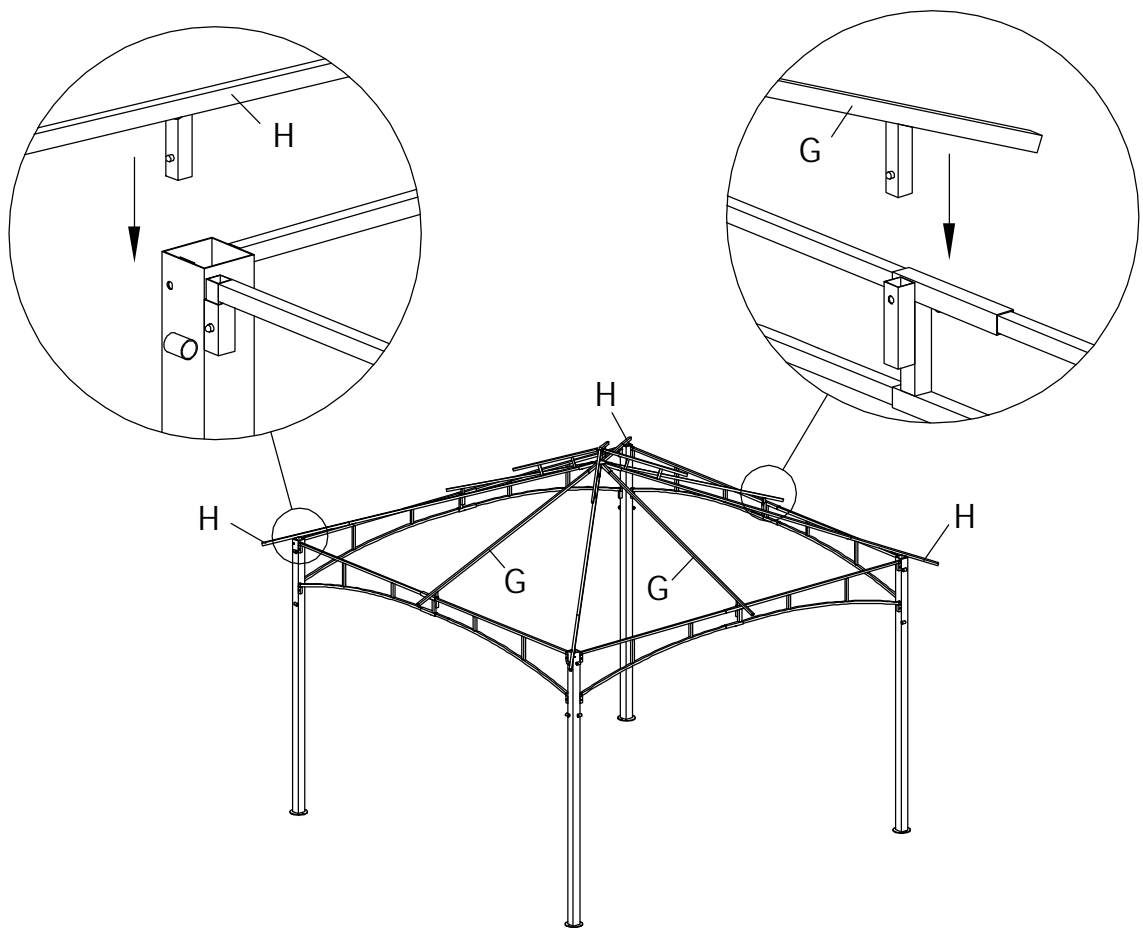
STEP 2



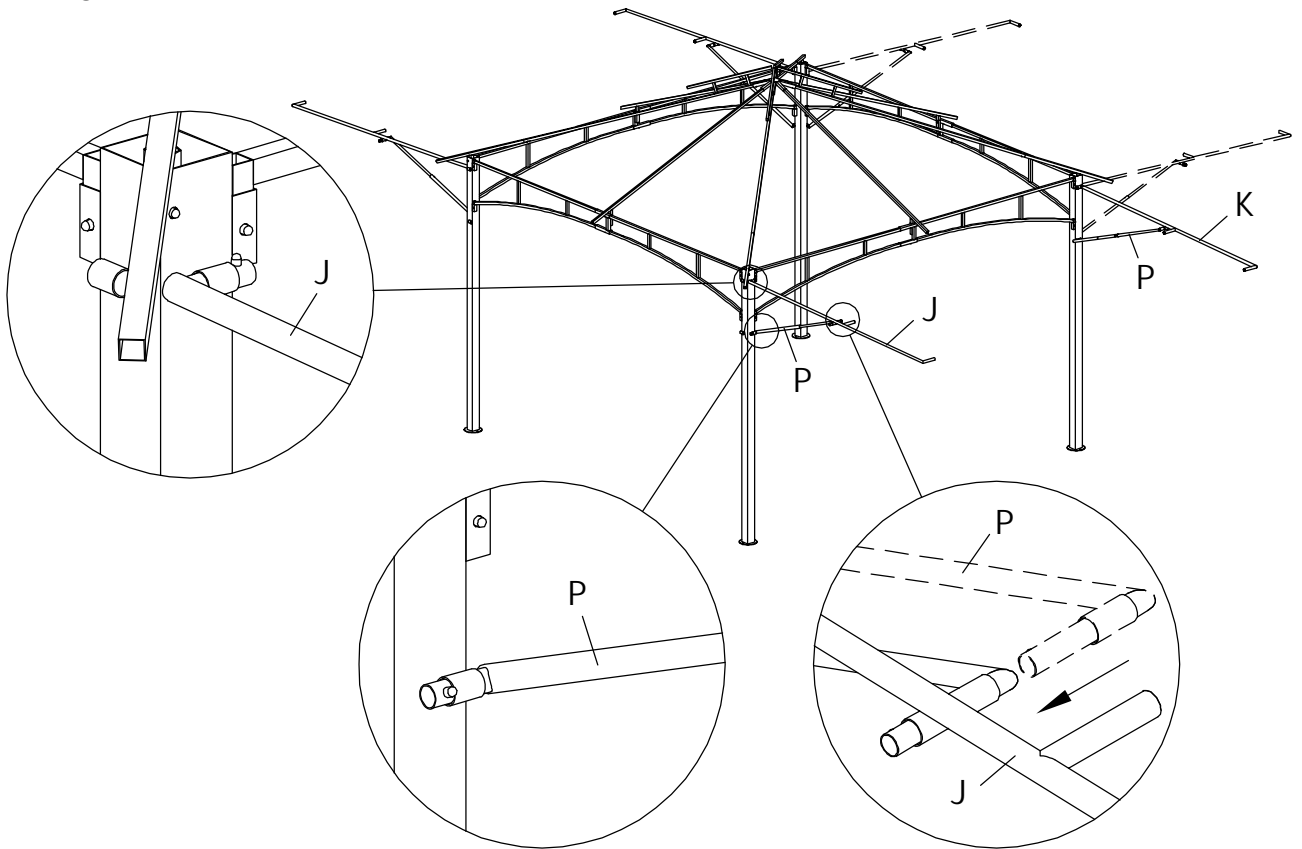
STEP 3



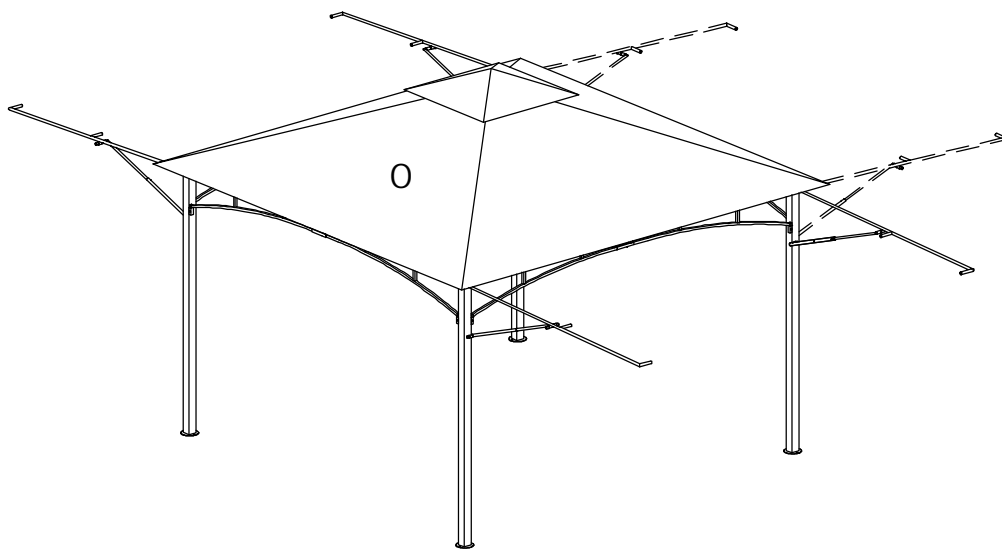
STEP 4



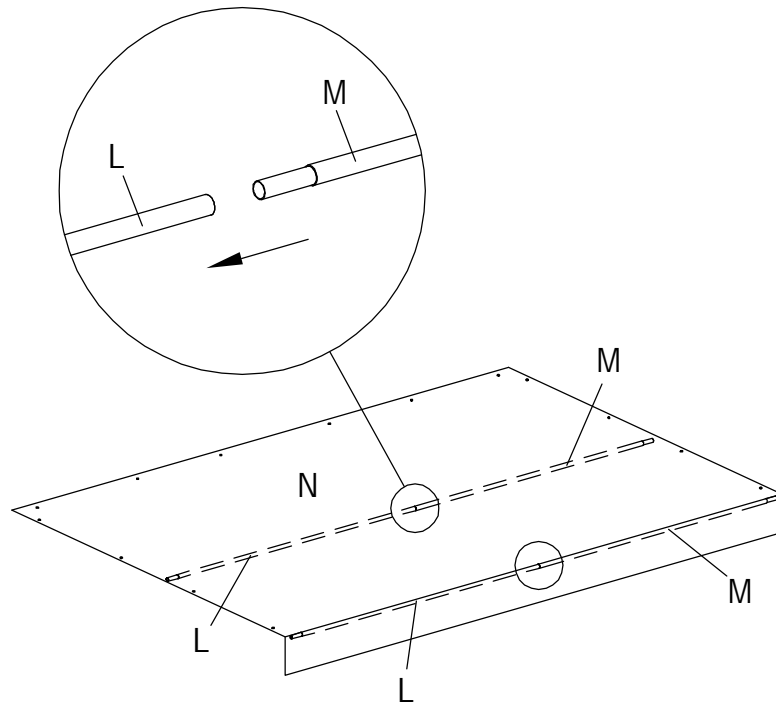
STEP 5



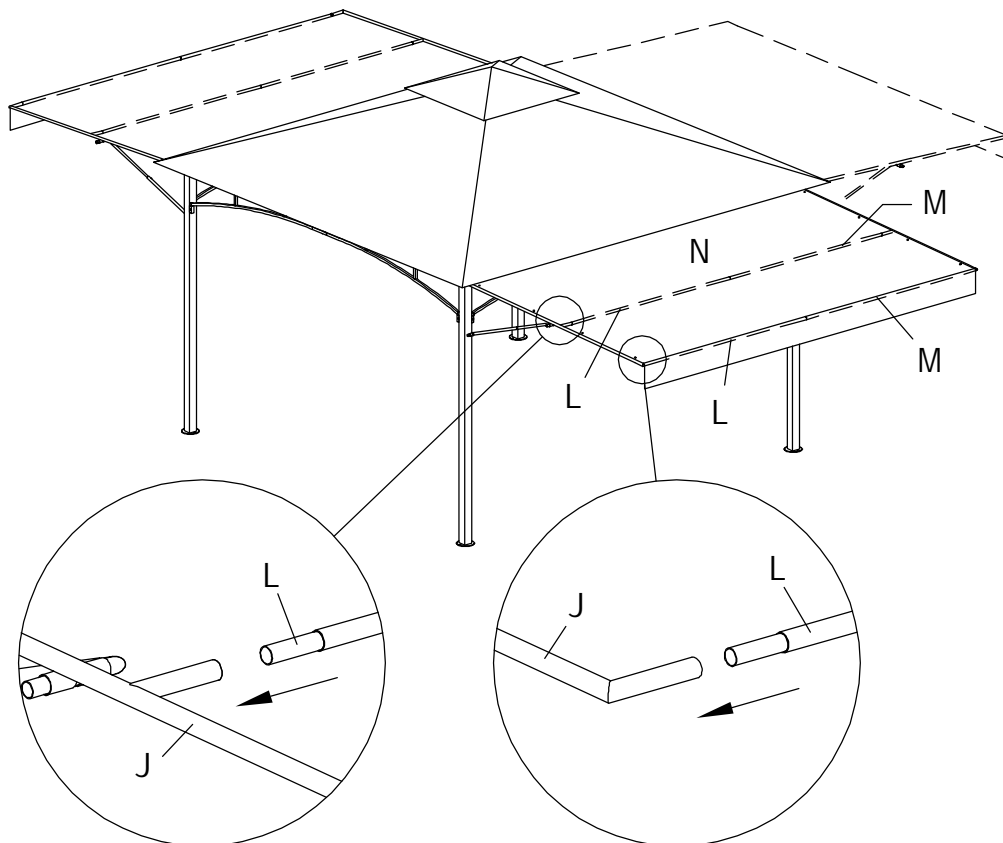
STEP 6



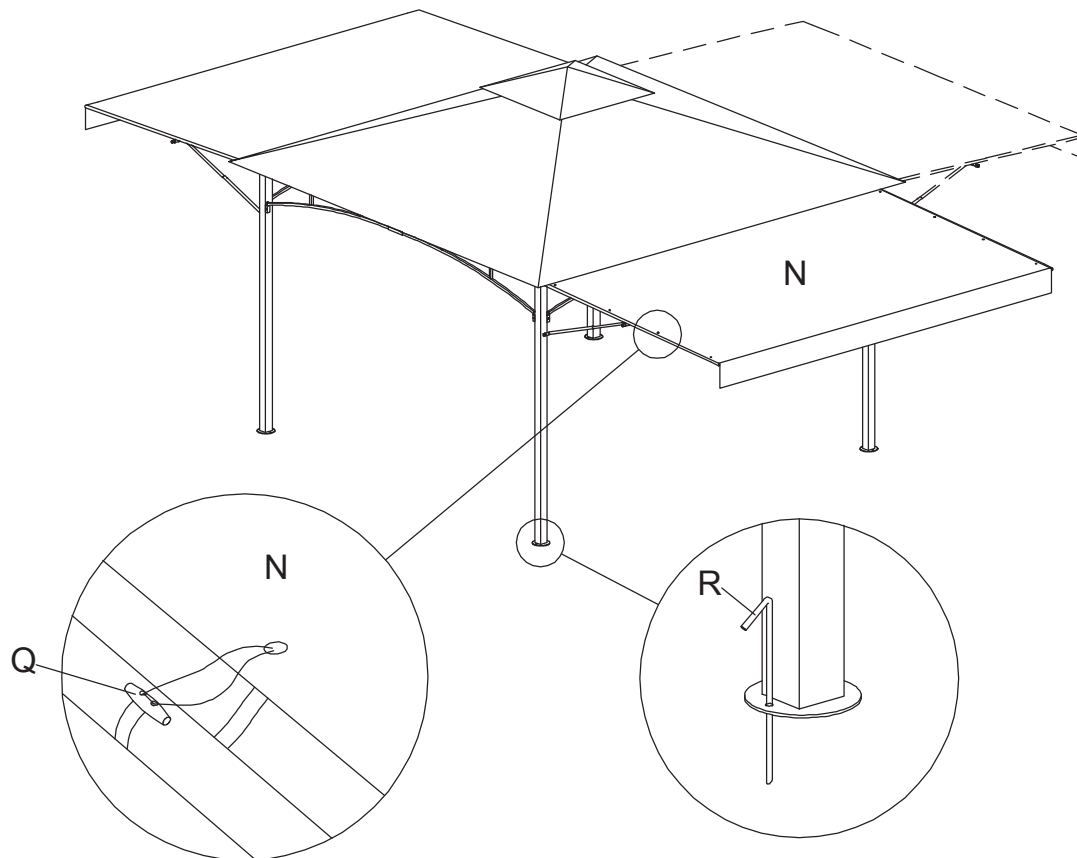
STEP 7



STEP 8



STEP 9



Note: This gazebo is meant to be used for decorative and sunshade purposes only and is not mean to withstand any elements of weather.

Please read these instructions carefully before starting assembly.

WARNING:

- 1) Do not cook underneath gazebo.
- 2) Do not ignite fireworks underneath gazebo.
- 3) Please keep the parts list, it could be useful to reorder some parts for service if necessary.